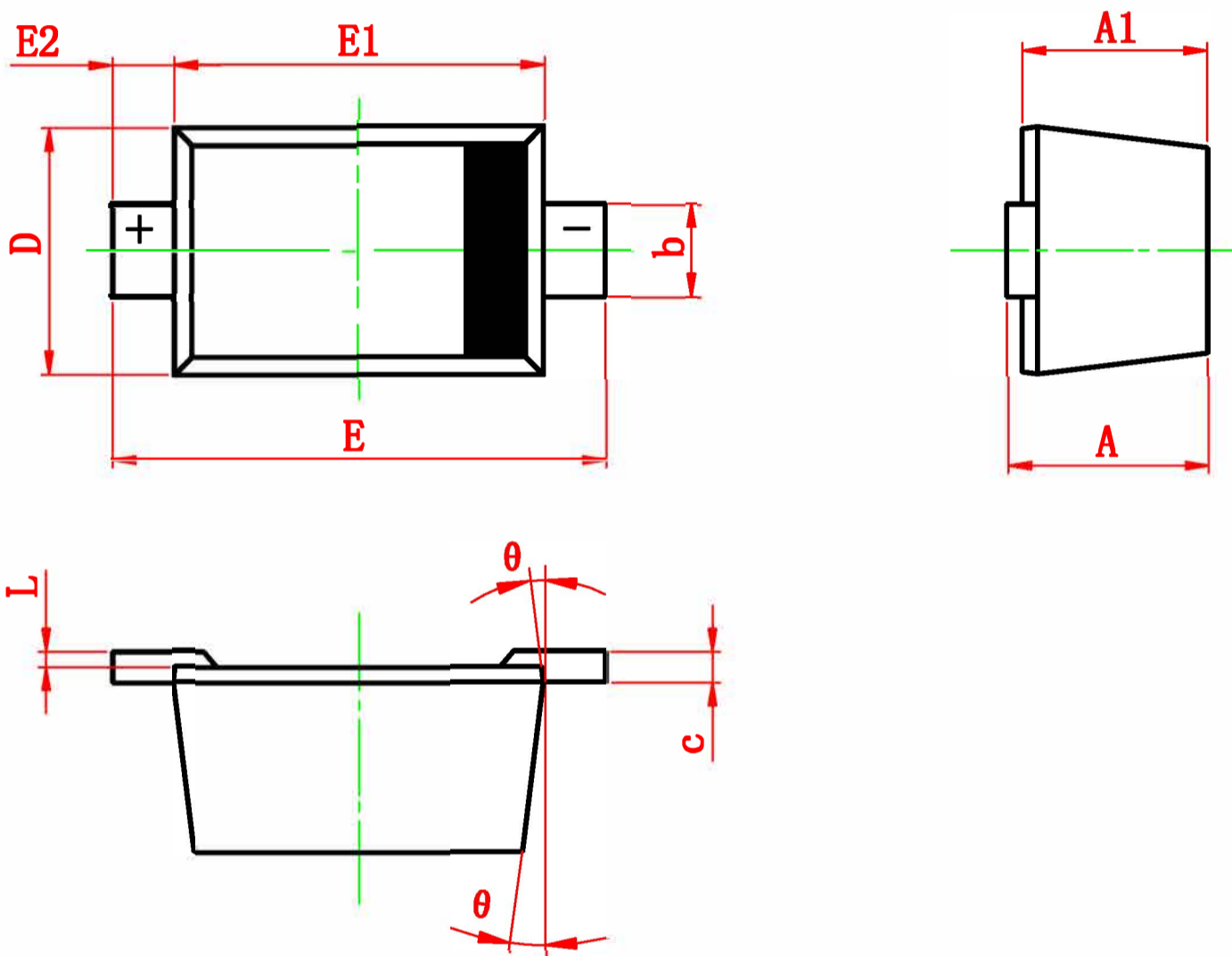




深圳市金莲花电子有限公司

SHENZHEN JINLIANHUA ELECTRONICS CO.,LTD

**SOD-523 PACKAGE OUTLINE DIMENSIONS**



Symbol	Dimensions In Millimeters		Dimensions In Inches	
	Min.	Max.	Min.	Max.
A	0.510	0.770	0.020	0.031
A1	0.500	0.700	0.020	0.028
b	0.250	0.350	0.010	0.014
c	0.080	0.150	0.003	0.006
D	0.750	0.850	0.030	0.033
E	1.500	1.700	0.059	0.067
E1	1.100	1.300	0.043	0.051
E2	0.200 REF.		0.008 REF.	
L	0.000	0.070	0.000	0.003
$\theta$	7° REF.		7° REF.	